

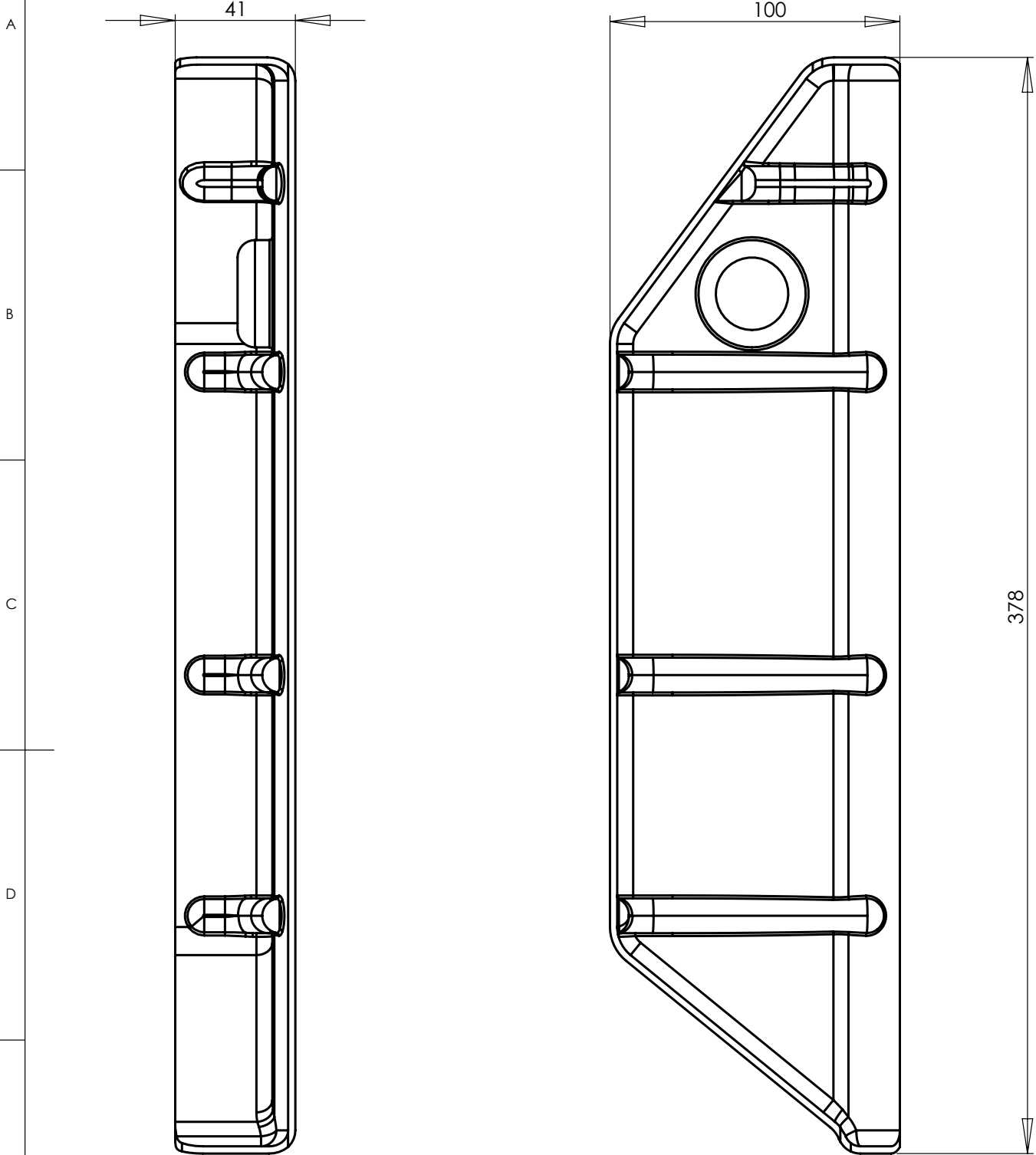
1

2

3

4

### Front part of the car



A  
B  
C  
D  
E

### Rear part of the car

UNLESS OTHERWISE SPECIFIED: DIMENSIONS ARE IN MILLIMETERS SURFACE FINISH: TOLERANCES: LINEAR: ANGULAR:		FINISH:		DEBUR AND BREAK SHARP EDGES		DO NOT SCALE DRAWING		REVISION	
						TITLE:			
						HF 002 Side Pod - left			
						DWG NO.		A4	
				MATERIAL: High Impact ABS		HF 002 Side Pod - left			
				WEIGHT:		SCALE: 1:2		SHEET 1 OF 1	

	NAME	SIGNATURE	DATE		
DRAWN	HF Racing		12/05/09		
CHKD	HF Racing		12/05/09		
APPV'D	HF Racing		12/05/09		
MFG	HF Racing		12/05/09		
Q.A	HF Racing		12/05/09		