

1

2

3

4

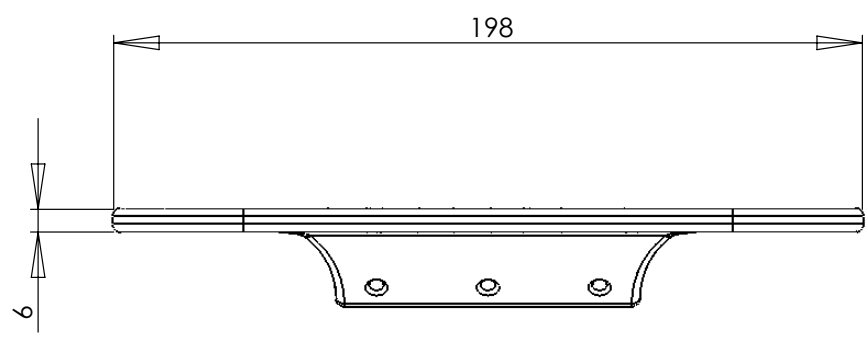
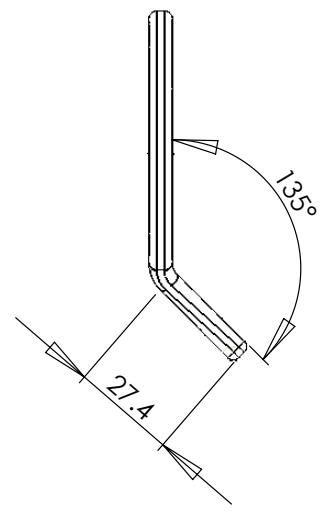
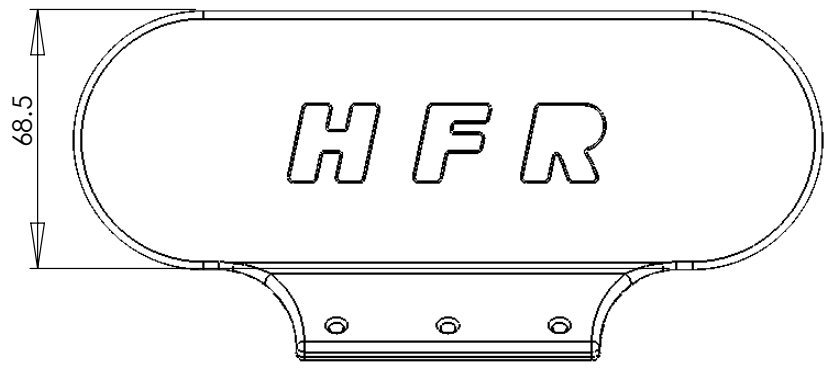
A

B

C

D

E



UNLESS OTHERWISE SPECIFIED:
DIMENSIONS ARE IN MILLIMETERS
SURFACE FINISH:
TOLERANCES:
LINEAR:
ANGULAR:

FINISH:

DEBUR AND
BREAK SHARP
EDGES

DO NOT SCALE DRAWING

REVISION

	NAME	SIGNATURE	DATE		
DRAWN	HF Racing		13/05/09		
CHKD	HF Racing		13/05/09		
APPV'D	HF Racing		13/05/09		
MFG	HF Racing		13/05/09		
Q.A	HF Racing		13/05/09		
				MATERIAL:	
				Polypropylene	
				WEIGHT:	

TITLE:		HF 003 front bumper type 1	
DWG NO.	HF 003 front bumper type 1		A4
SCALE: 1:2	SHEET 1 OF 1		