

1

2

3

4

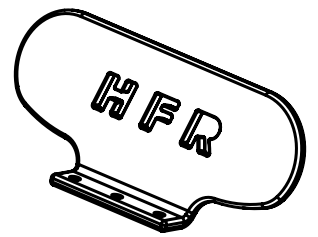
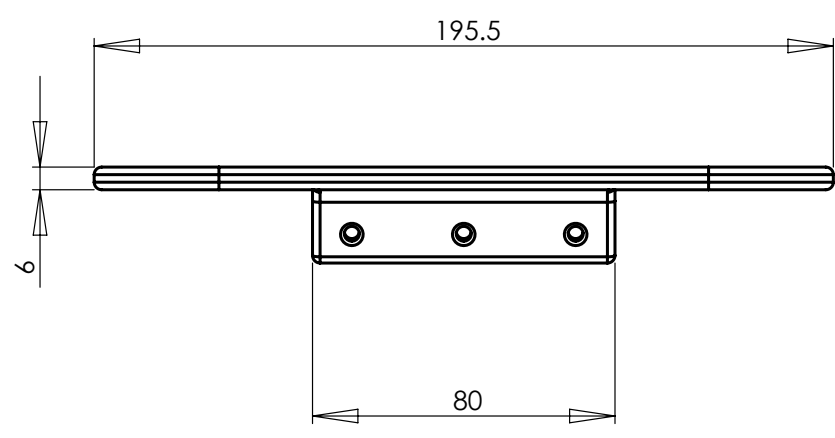
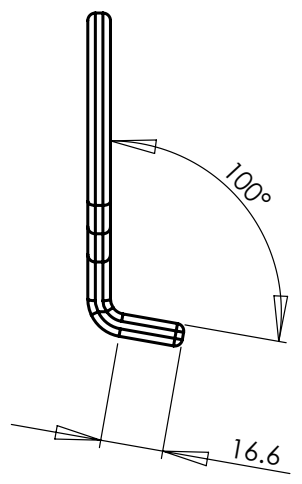
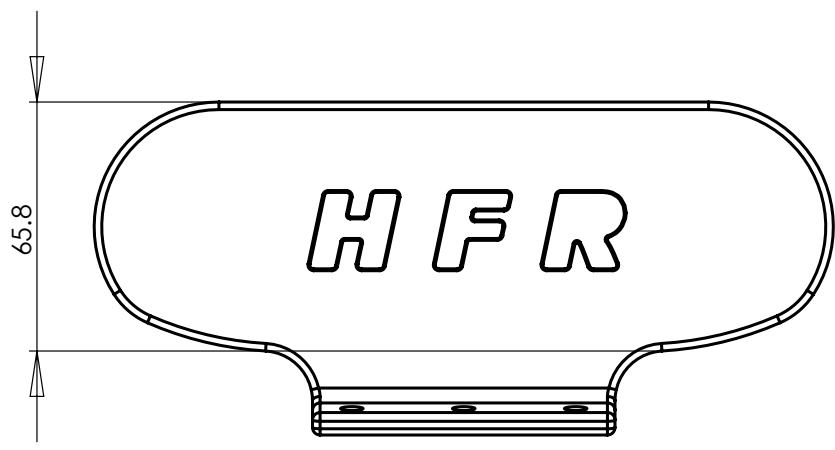
A

B

C

D

E



UNLESS OTHERWISE SPECIFIED:
DIMENSIONS ARE IN MILLIMETERS
SURFACE FINISH:
TOLERANCES:
LINEAR:
ANGULAR:

FINISH:

DEBUR AND
BREAK SHARP
EDGES

DO NOT SCALE DRAWING

REVISION

| | NAME | SIGNATURE | DATE | | |
|--------|-----------|-----------|----------|--|--|
| DRAWN | HF Racing | | 13/05/09 | | |
| CHKD | HF Racing | | 13/05/09 | | |
| APPV'D | HF Racing | | 13/05/09 | | |
| MFG | HF Racing | | 13/05/09 | | |
| Q.A | HF Racing | | 13/05/09 | | |
| | | | | | |
| | | | | | |
| | | | | | |
| | | | | | |
| | | | | | |

| | | | |
|------------|--------------------------|--------------------------|--|
| TITLE: | | HF 004 rear bumper type1 | |
| DWG NO. | HF 004 rear bumper type1 | A4 | |
| SCALE: 1:2 | SHEET 1 OF 1 | | |

MATERIAL:
Polypropylene

WEIGHT:

DWG NO.

SCALE: 1:2

SHEET 1 OF 1