

1

2

3

4

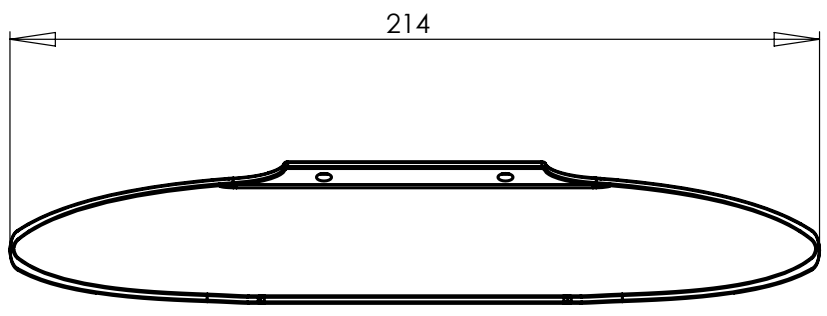
A

B

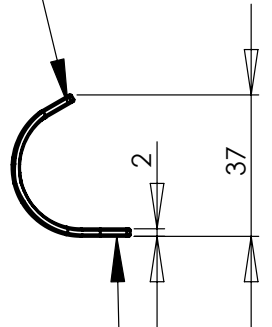
C

D

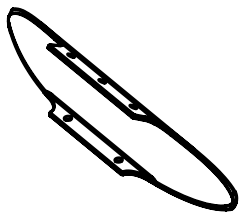
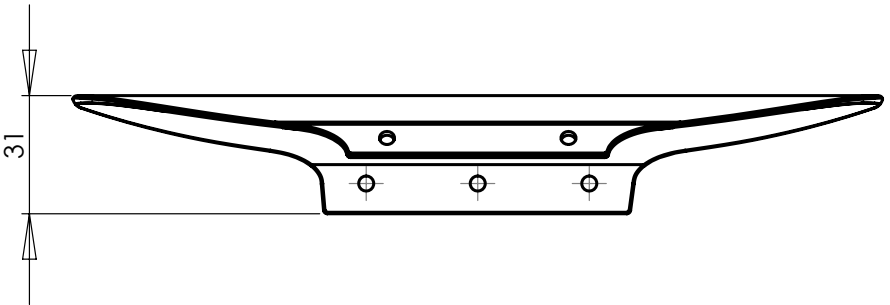
E



HF Radio Tray Assembly



Contrast Chassis Assembly



UNLESS OTHERWISE SPECIFIED:  
 DIMENSIONS ARE IN MILLIMETERS  
 SURFACE FINISH:  
 TOLERANCES:  
 LINEAR:  
 ANGULAR:

FINISH:

DEBUR AND  
 BREAK SHARP  
 EDGES

DO NOT SCALE DRAWING

REVISION

	NAME	SIGNATURE	DATE		
DRAWN	HF Racing		14/05/09		
CHKD	HF Racing		14/05/09		
APPV'D	HF Racing		14/05/09		
MFG	HF Racing		14/05/09		
Q.A	HF Racing		14/05/09		
				MATERIAL:	
				Polypropylene	
				WEIGHT:	

TITLE:		HF 005 front bumper type 2	
DWG NO.	HF 005 front bumper type 2		A4
SCALE: 1:2	SHEET 1 OF 1		