

1

2

3

4

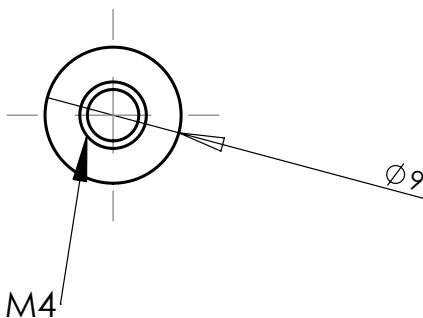
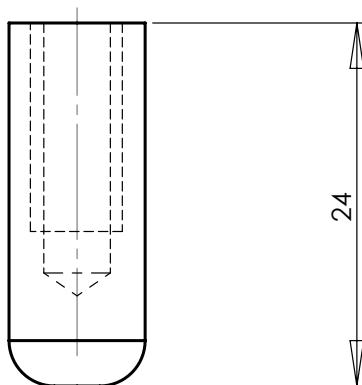
A

B

C

D

E



UNLESS OTHERWISE SPECIFIED:
 DIMENSIONS ARE IN MILLIMETERS
 SURFACE FINISH:
 TOLERANCES:
 LINEAR:
 ANGULAR:

FINISH:

DEBUR AND
 BREAK SHARP
 EDGES

DO NOT SCALE DRAWING

REVISION

	NAME	SIGNATURE	DATE		
DRAWN	HF Racing		20/05/09		
CHKD	HF Racing		20/05/09		
APPV'D	HF Racing		20/05/09		
MFG	HF Racing		20/05/09		
Q.A	HF Racing		20/05/09		

TITLE:	
HF 008 Steering stop	
DWG NO.	HF 008 Steering stop
	A4

MATERIAL:
 Aluminium

SCALE: 2:1