

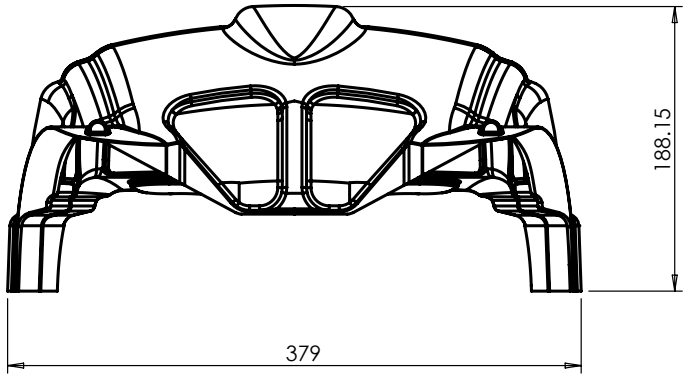
1

2

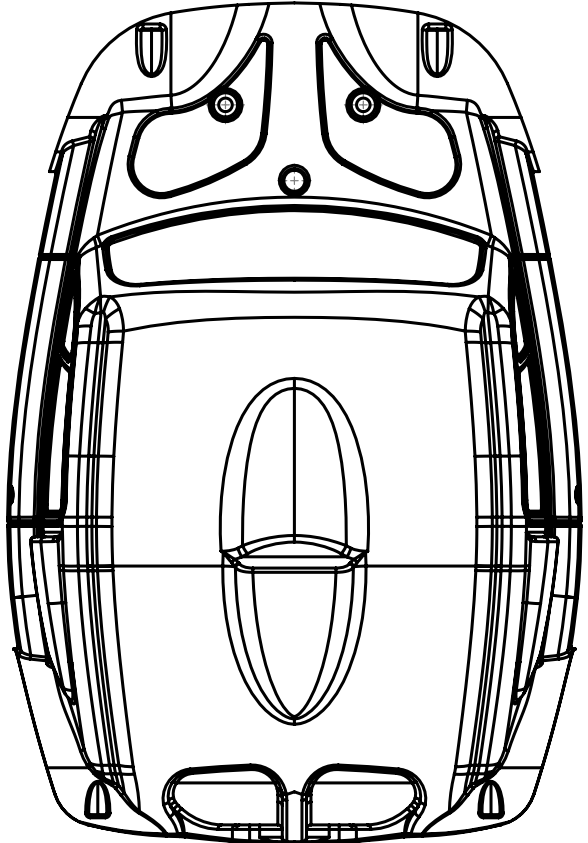
3

4

A

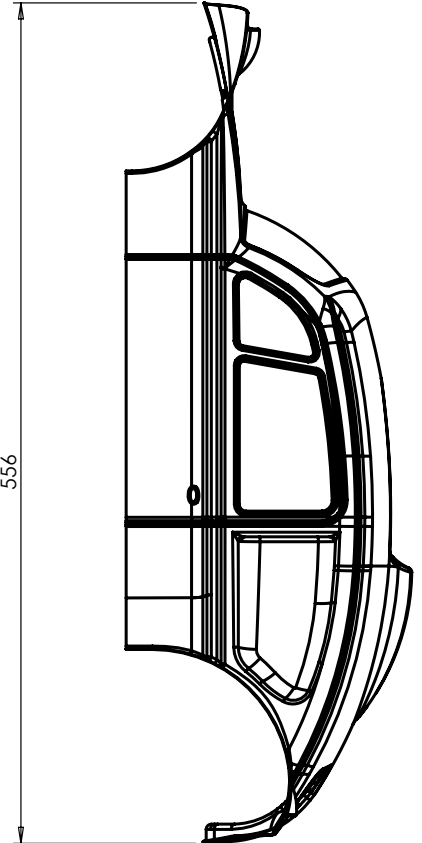


B

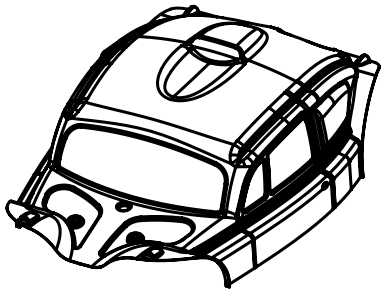
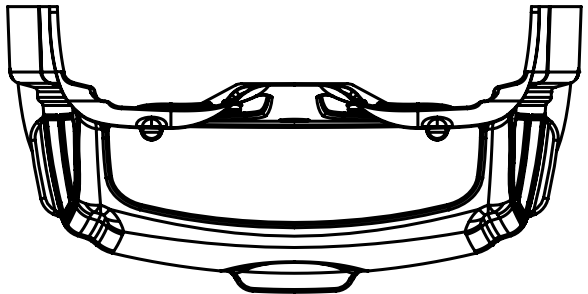


C

D



E



UNLESS OTHERWISE SPECIFIED:  
 DIMENSIONS ARE IN MILLIMETERS  
 SURFACE FINISH:  
 TOLERANCES:  
 LINEAR:  
 ANGULAR:

FINISH:  
  
 DEBUR AND  
 BREAK SHARP  
 EDGES

DO NOT SCALE DRAWING      REVISION

	NAME	SIGNATURE	DATE		
DRAWN	HF Racing		23/06/09		
CHKD	HF Racing		23/06/09		
APPV'D	HF Racing		23/06/09		
MFG	HF Racing		23/06/09		
Q.A	HF Racing		23/06/09		
			23/06/09		
			23/06/09		

TITLE:	HF 009 Beetle	
DWG NO.	HF 009 Beetle	A4
SCALE: 1:5	SHEET 1 OF 1	

MATERIAL:  
 2mm lexan  
 WEIGHT: